

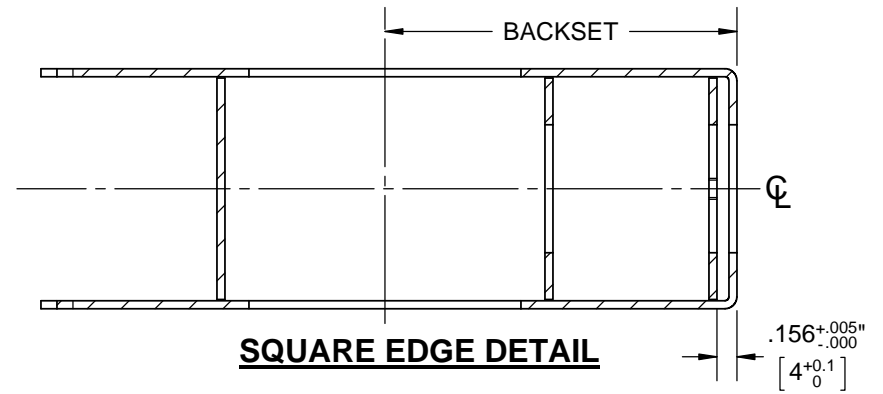
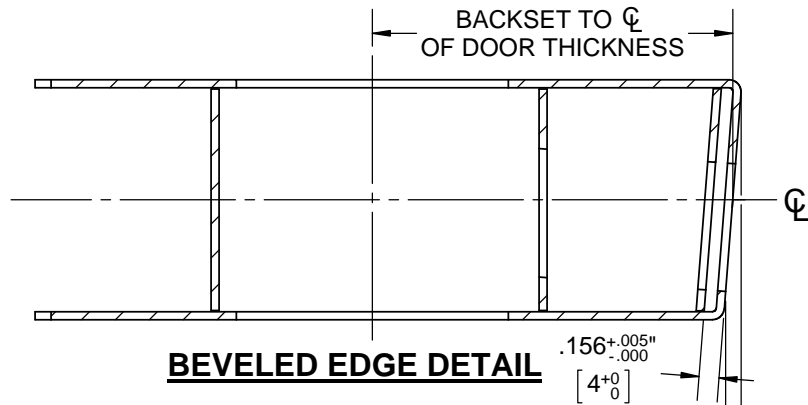
NOTES:

1. DRAWING IS NOT TO SCALE.
2. DIMENSIONS ARE IN INCHES/[MM].

WOOD DOORS FOR:
T910, T925, T940
FACE PLATE 1" FLAT OR BEVELED

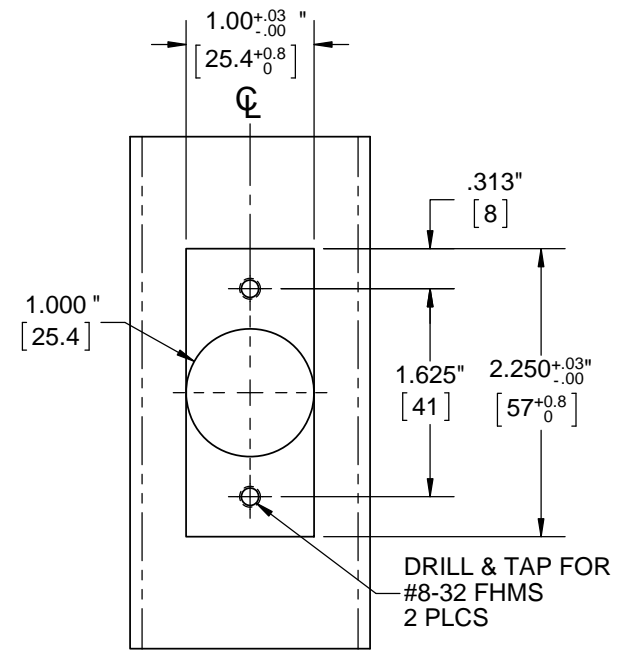
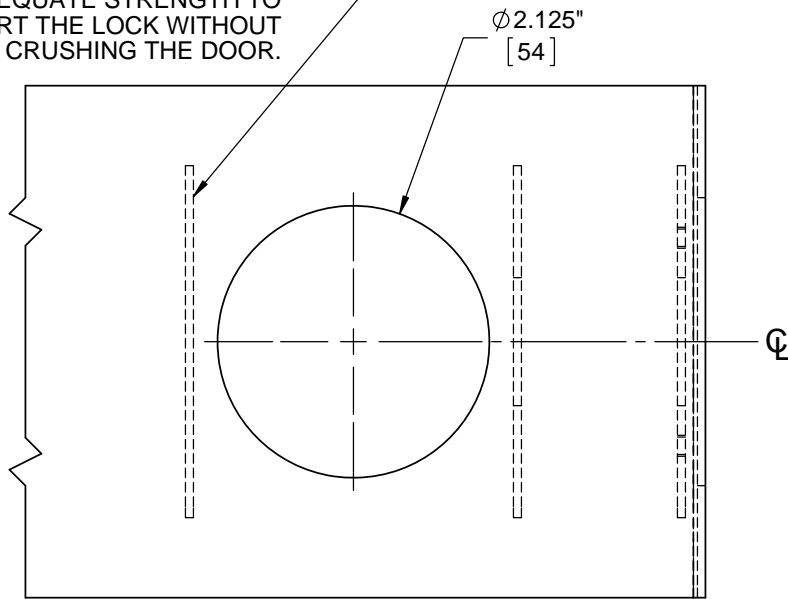


DORMA USA, Inc.
Reamstown, PA 17567



NOTE: LATCH CASE AND LOCK CHASSIS SUPPORTS MUST BE DESIGNED TO PROVIDE ADEQUATE STRENGTH TO SUPPORT THE LOCK WITHOUT CRUSHING THE DOOR.

0.125" OVER 2.0 BEVEL
[3.2MM OVER 51MM]



NOTES:

1. DRAWING IS NOT TO SCALE.
2. DIMENSIONS ARE IN INCHES/[MM].

METAL DOORS FOR:
T910, T925, T940
FACE PLATE 1" FLAT OR BEVELED



DORMA USA, Inc.
Reamstown, PA 17567